

GARETH ASHTON
Mk II Park Avenue Collection

Installation, Operation, Care and Maintenance Instructions

W
Watermark
Ligno Oceana
100% WATERMARK
After Sales and Service
Phone: 03 9747 7777
Fax: 03 9747 7700

Contents

Content	1
Mk II Park Avenue Close Coupled Pan Drawing	2
Mk II Park Avenue Cistern Drawing	3
Close Coupled Pan Installation	4
Close Coupled Pan Installation (Cont)	5
Close Coupled Pan Installation (Cont)	6
Close Coupled Cistern Installation	7
Close Coupled Cistern Installation (Cont)	8
Seat Installation	9
Trouble Shooting, Operation and Maintenance	10
Product Warranty	11

INTRODUCTION PAGE

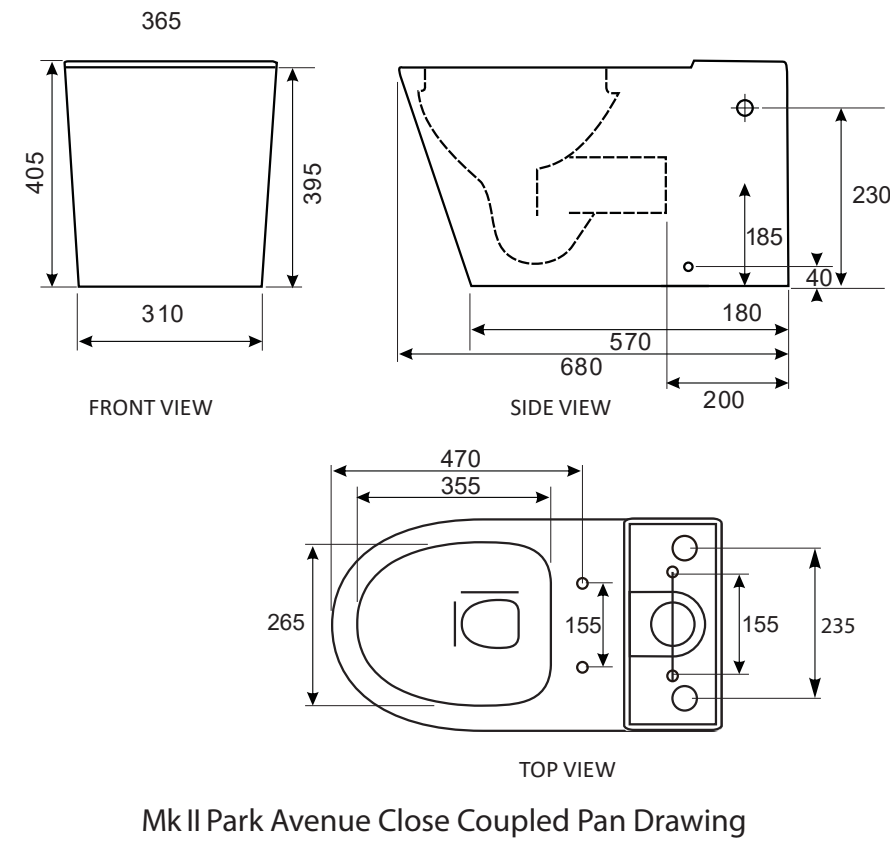
Congratulations on purchasing this Watermark and WELS certified, high quality Abey Australia product

To The Installing Plumber:
Please leave this instruction booklet for the customer

DO NOT USE Concrete, Sand & Cement Mix or any other similar product when installing the Pan, doing so will void product warranty.

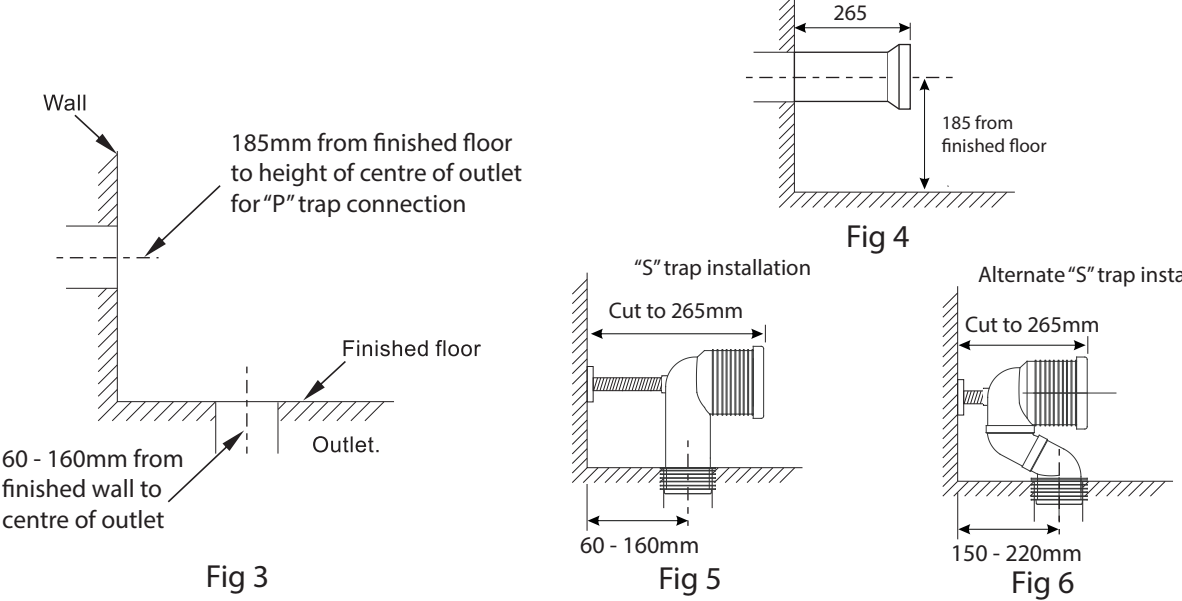
Prior to Installation
(Visual Inspection) & Installation requirements:

- All product to be removed from packaging and checked to ensure the product is in good order and condition and that all parts required for correct installation have been supplied. Any product that is faulty or has parts missing is to be returned to the store of purchase.
- All Abey sanitary ware products must be installed by a licensed plumber in accordance with the relevant installation instructions and all Australian standards and local authority requirements. Failure to follow the relevant installation instructions, Australian Standards and Local Authority requirements will invalidate the warranty and all associated costs will be transferred to the end user.



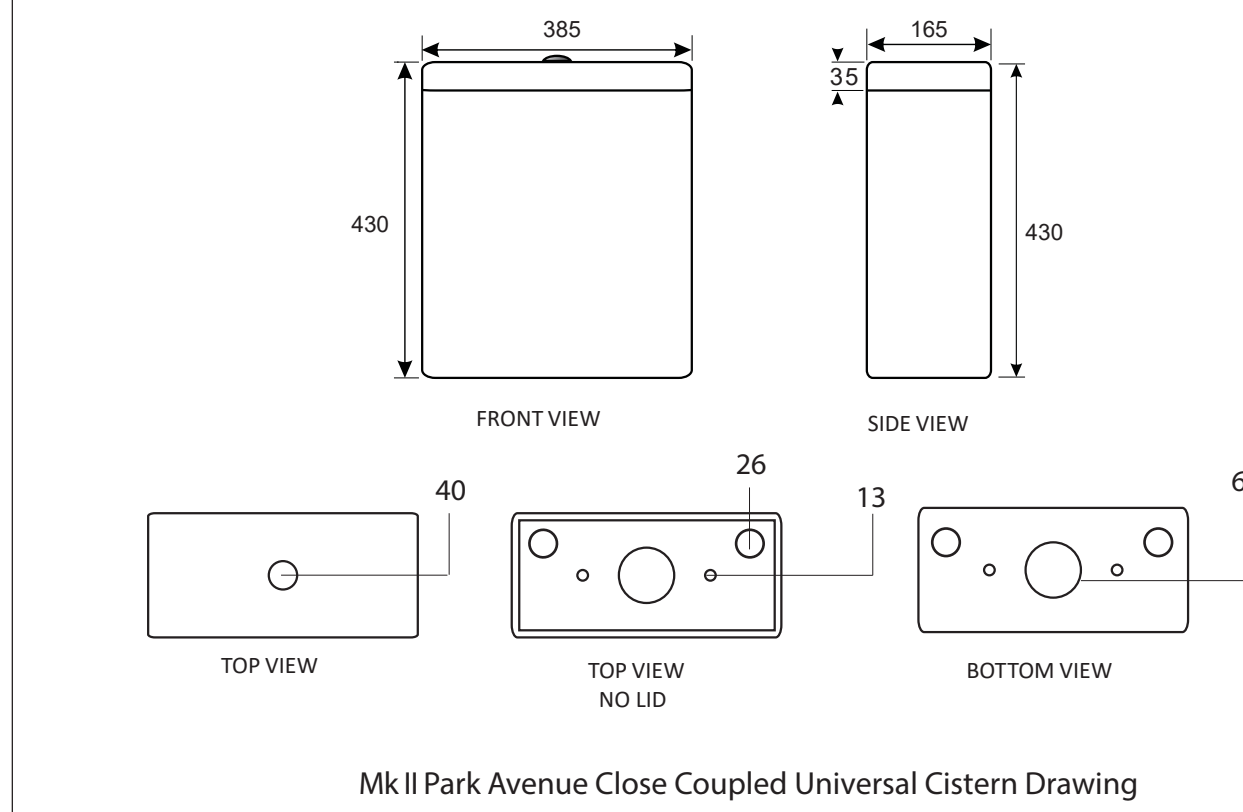
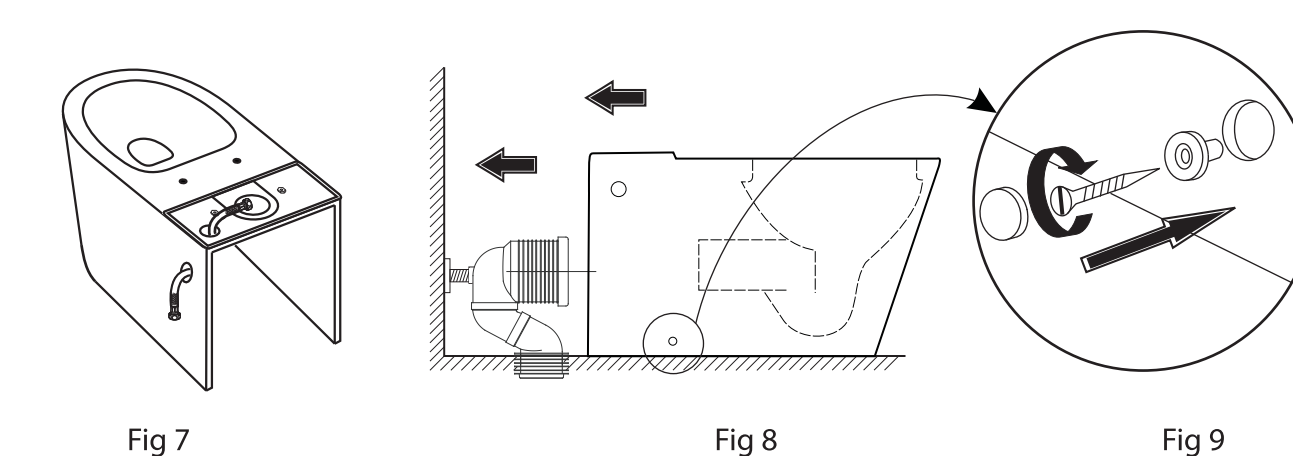
Close Coupled Pan Installation

The set out for installation should be 185mm from finished floor to centre of outlet for "P" trap installations and between 60 and 160mm from the finished wall for "S" trap installations. An alternative connector can be obtained from your distributor for "S" trap installations between 150 and 220mm.



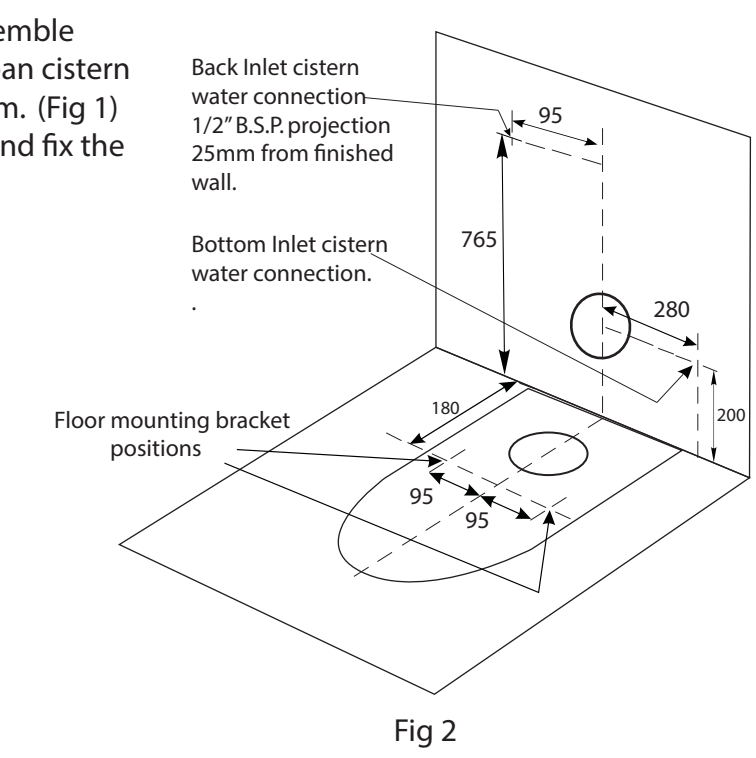
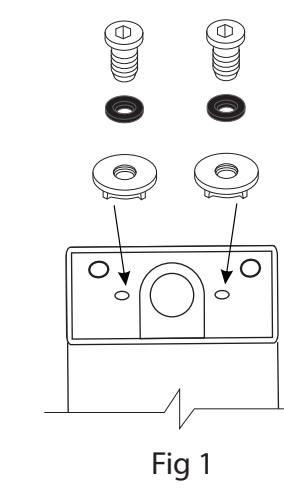
Close Coupled Pan Installation

For bottom inlet cisterns applications feed a flexible hose through the hole in the cistern platform and out through the hole in the side of the pan. (Fig 7) For back inlet cisterns skip this step. Once the appropriate pan connector has been fixed in position place the pan on the floor, Lubricate the seal of the connector and push the pan back to wall ensuring the pan spigot engages properly with the pan connector. (Fig 8) Bucket flush to ensure no leaking. Insert and secure the fixing screws through the side fixing holes into the floor brackets. Push the white plug into the hole on side of the pan. For back inlet cisterns use two plugs to block the two holes.



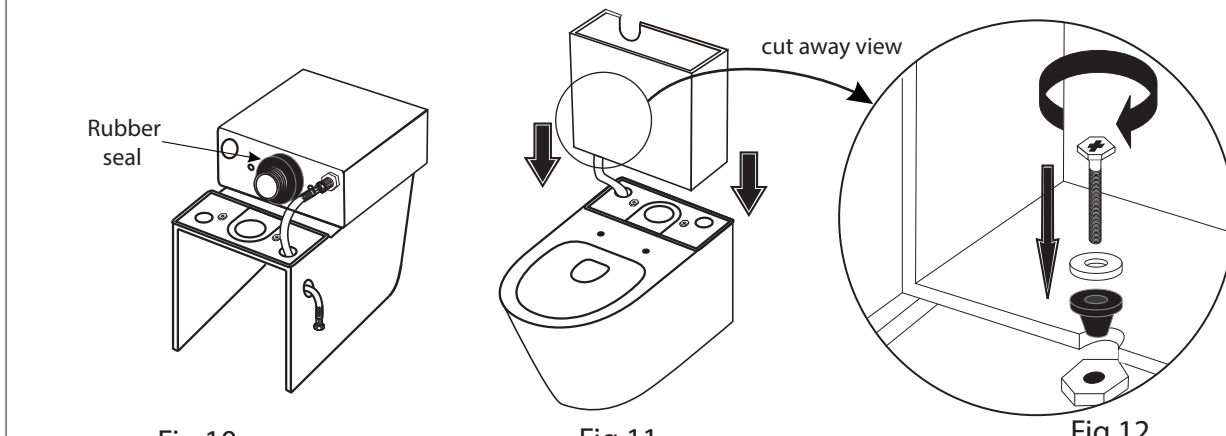
Close Coupled Pan Installation

Remove the pan from the box and assemble the plastic cistern fixing lugs into the pan cistern fixing holes, with the nuts at the bottom. (Fig 1) Set out the appropriate water supply and fix the floor mounting brackets (Fig 2)



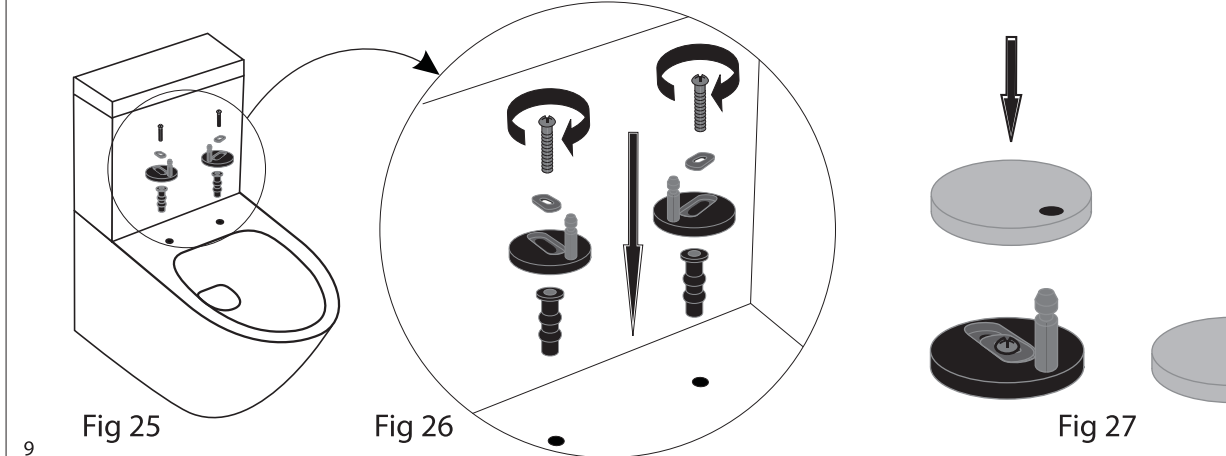
Cistern Installation

Remove the cistern from the packaging and place on top of the pan, face down. (Fig 10) Connect the water supply hose (For back inlet water supply skip this step) and ensure the rubber seal is positioned properly on the cistern outlet tail. Lift the cistern into position and lower onto the pan cistern platform. (Fig 11) Locate the cistern fixing bolts through the cistern from the inside, and ensuring alignment with the pan and wall, tighten the screws. (Fig 12) Connect the water supply hose to the stop cock. (For back inlet cisterns skip this step)



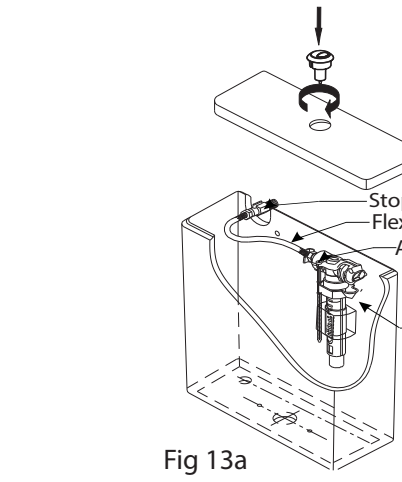
Seat Installation

Remove the seat and cover from it's box. Insert the top fixing rawl plugs into the seat bolt holes. Place the hinge blocks, without the stainless steel covers, over the rawl plugs (Fig 25 and 26) Fit the seat and cover onto the hinge blocks by locating the fixing holes onto the hinge pins and push into place. Close the seat and cover onto the pan, and adjust the position in line with the rim of the pan. Tighten the screws. Open the seat and cover and depress the quick fix buttons to remove the seat and cover. Place the stainless steel covers over the hinge blocks (Fig 27) and replace the seat.

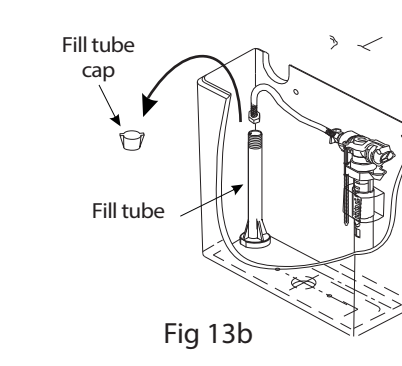


Water Supply Connection

For back inlet supply, connect a stop cock (not supplied) to the nipple protruding from the wall. Connect the flexible hose from the stop cock to the inlet valve. Fill the cistern with water, flush and check for leaks. Fit the cistern lid and insert the button assembly through the lid and tighten into the outlet valve. (Do Not Over Tighten) (Fig 13a) Run a bead of silicon around the foot and back of the pan and clean up.



For bottom inlet supply, remove the cap from the bottom inlet fill tube and connect the flexible hose from the inlet valve to the top of the fill tube. (Fig 13b). Fill the cistern with water, flush and check for leaks. Fit the cistern lid and button as per above (Do Not Over Tighten) Run a bead of silicon around the foot and back of the pan and clean up.



Trouble Shooting, Operation and Maintenance

Trouble Shooting

Problem	Possible Cause	Remedy
Water is leaking into the pan	Water level is set too high Outlet valve seal is leaking	Re-adjust the inlet valve to lower the water level below the overflow pipe height Remove outlet valve and clean outlet seal and seat or replace outlet seal
Water is leaking onto the floor	Flexible hose or connections are leaking Cistern fitting components are leaking Outlet connector broken or not engaged correctly	Retighten connections or replace hose Check and retighten Outlet, Inlet and plug nuts Uninstall pan and check connector. Engage pan correctly, and/or replace connector

Operation and Maintenance

- For Non-Solid Waste removal use the half flush button to conserve water.
- To clean the toilet suite only use warm soapy water, DO NOT use chemical cleaners.
- Do not place chemical additives into the cistern tank as chemical additives can deteriorate the sealing rubber and valve components.

Product Warranty

For your continued peace of mind Abey Australia offers a limited warranty from date of purchase. For full terms and conditions including how to claim and your rights as a consumer, please consult www.abey.com.au and this installation guide.

In addition, if you are a consumer as defined in the Australian Consumer Law, the goods come with a guarantee that cannot be excluded and you are entitled to a replacement or refund for a major failure and compensation for any other reasonably foreseeable loss or damage. You are also entitled to have the goods repaired or replaced if the goods fail to be of acceptable quality and the failure does not amount to a major failure

For After sales and service please contact Abey Australia on-

Phone: 03 9747 7777
Fax: 03 9747 7700