



# PHOENIX

## SPECIFICATIONS

### NOSTALGIA

### TWIN HANDLE SINK MIXER 220MM SHEPHERDS CROOK

PRODUCT CODE: NS714-62  
 FINISH: CHROME / WHITE  
 WELS: 4 STAR - 7.0 LT/MIN

#### INFORMATION:

TEMPERATURE RATING: MIN 1° - MAX 75°  
 PRESSURE RATING: MIN 150 kPa - MAX 500 kPa

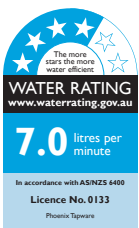
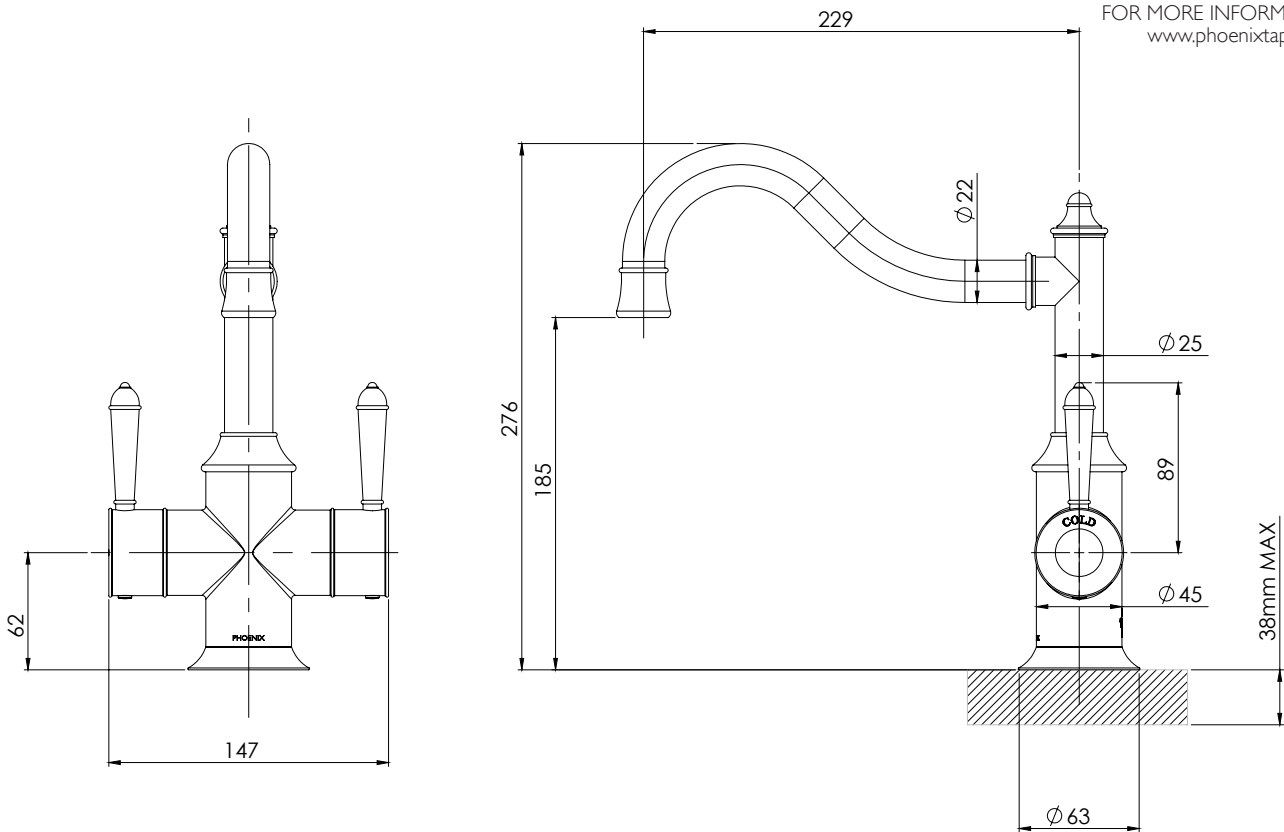


AVAILABLE IN:



CHROME CHROME / WHITE

FOR MORE INFORMATION VISIT [www.phoenixtapware.com.au](http://www.phoenixtapware.com.au)



PLEASE [CLICK HERE TO VIEW FULL WARRANTY](#)

While we aim to ensure the specifications shown are correct at time of printing, Phoenix Tapware reserves the right to make modifications without prior notice. Always use the physical product measurements for mark-ups and roughing-in as the line drawing shown may differ from the actual product over time. All measurements are shown in millimetres.

Nostalgia is a Registered Trademark of Phoenix Industries Pty. Ltd.

V231116

[www.phoenixtapware.com.au](http://www.phoenixtapware.com.au)  
03 9780 4200



# PHOENIX

## SPECIFICATIONS

### NOSTALGIA

## TWIN HANDLE SINK MIXER 220MM SHEPHERDS CROOK

PRODUCT CODE:

NS714-62

FINISH:

CHROME / WHITE

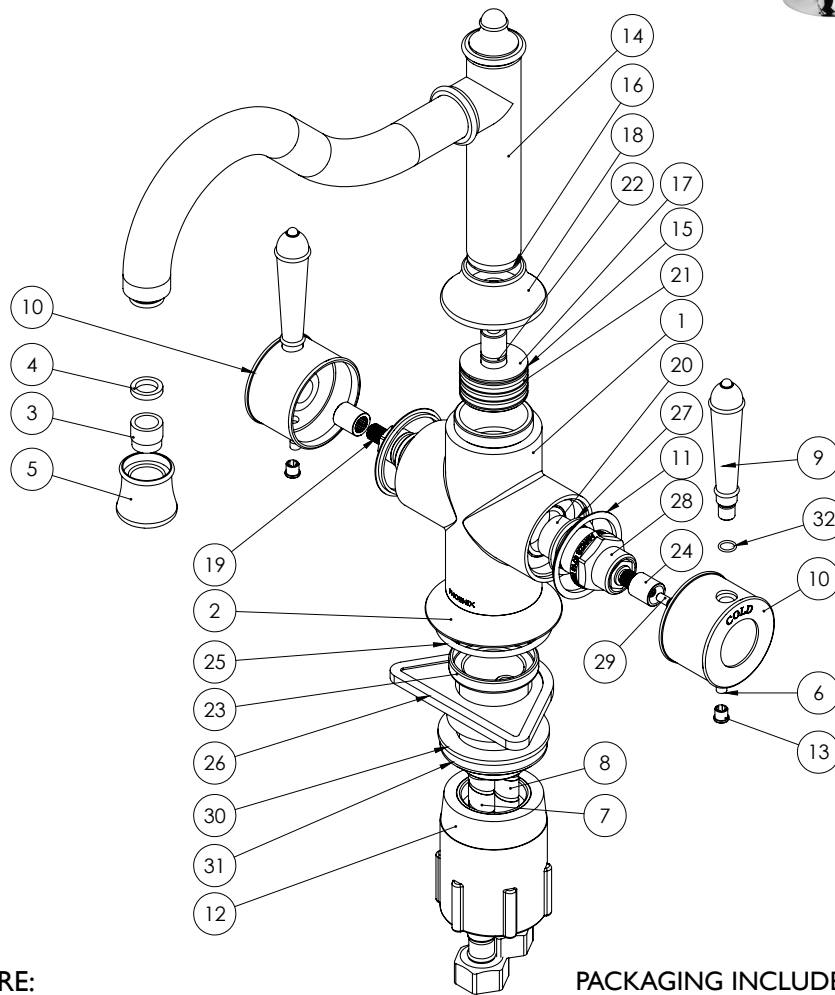
WELS:

4 STAR - 7.0 LT/MIN



### PARTS LIST

1. DUAL HANDLE MIXER BODY
2. DRESS RING
3. AERATOR
4. GASKET
5. RETAINER
6. GRUB SCREW M5X5
7. FLEXIBLE HOSE 450MM COLD
8. FLEXIBLE HOSE 450MM HOT
9. LEVER PIN
10. TWIN LEVER HANDLE
11. BLACK INDICATOR DISC
12. MIXER LOCKNUT PLASTIC
13. SCREW CAP M5
14. SHEPHERDS CROOK SPOUT
15. SPOUT BOSS
16. UPPER SPOUT DISC
17. LOWER SPOUT DISC
18. BODY COVER
19. 57MM CARTRIDGE HOT
20. 57MM CARTRIDGE COLD
21. O-RING 26X3.0MM
22. O-RING 7X2.5MM
23. MIXER TAIL
24. SPLINED ADAPTOR
25. O-RING 48X3.0MM
26. SWIVEL SPACER
27. FIBER WASHER
28. 20MM BONNET
29. SCREW
30. LOCKNUT GASKET
31. LOCKNUT SPACER
32. O-RING 6.6X1.0MM



### MAINTENANCE AND CARE:

- All surfaces should be cleaned with mild liquid detergent or soap and water.
- Do not use cream cleaners or citrus based cleaning products, as they are abrasive.
- Use of unsuitable cleaning agents may damage the surface. Any damage caused in this way will not be covered by warranty.

### PACKAGING INCLUDES

- 1 x Twin handle sink mixer
- 1 x Dress ring
- 1 x 450mm braided flexible cold hose
- 1 x 450mm braided flexible hot hose
- 1 x Installation kit
- 1 x Installation instructions
- 1 x Warranty card

PLEASE [CLICK HERE TO VIEW FULL WARRANTY](#)

While we aim to ensure the specifications shown are correct at time of printing, Phoenix Tapware reserves the right to make modifications without prior notice. Always use the physical product measurements for mark-ups and roughing-in as the line drawing shown may differ from the actual product over time. All measurements are shown in millimetres.

Nostalgia is a Registered Trademark of Phoenix Industries Pty. Ltd.

V231116

[www.phoenixtapware.com.au](http://www.phoenixtapware.com.au)  
03 9780 4200