



marbletrend

J5115/6

November 2016

SUPERSEDES ALL PREVIOUS ISSUES

**13.2.2**

## **PROJECT PREMIUM**

MOULDED ACRYLIC INSET BATHS

- 1500L x 723W x 415H
- 1675L x 738W x 415H



# PROJECT PREMIUM

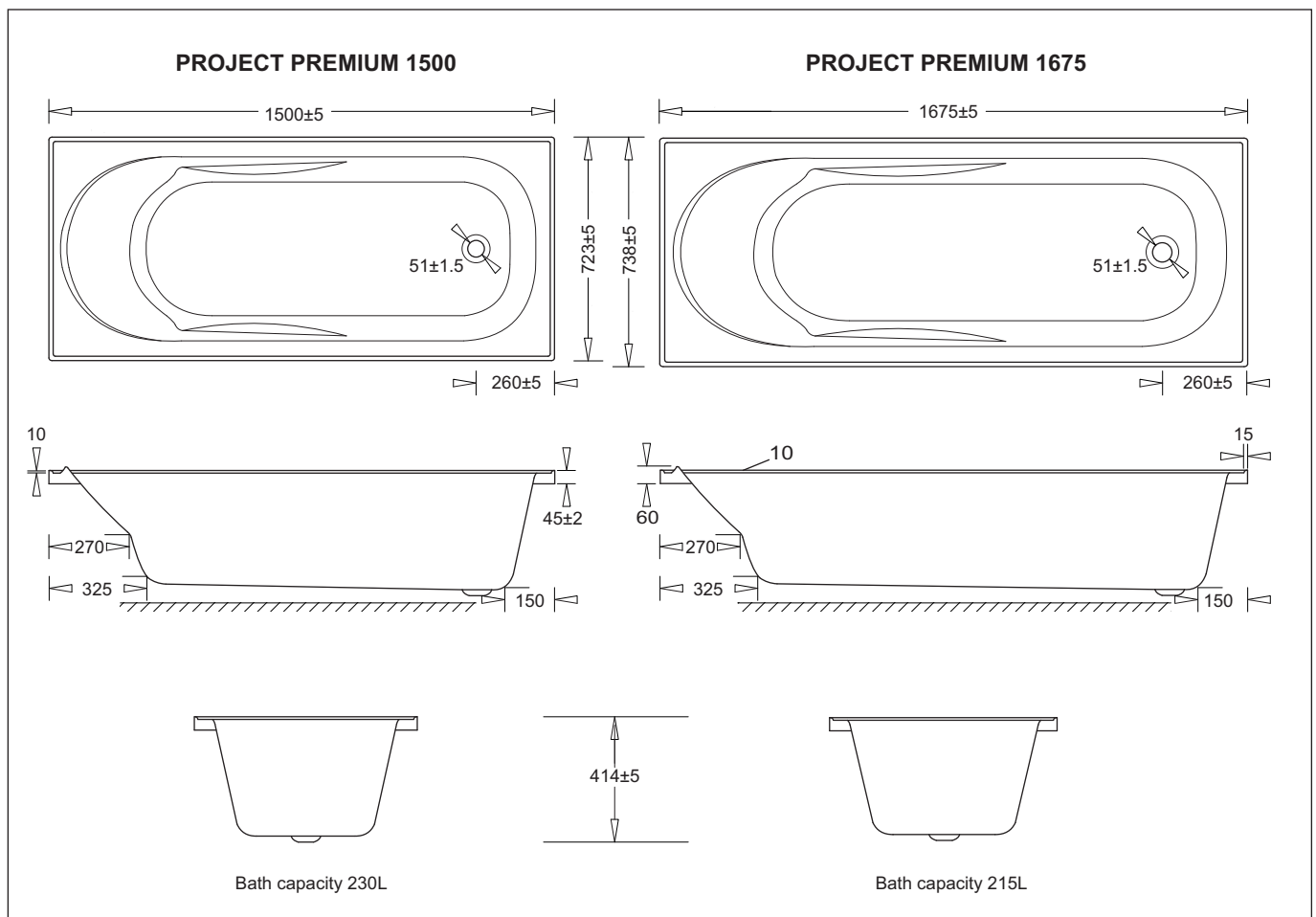
## MOULDED ACRYLIC INSET BATH



- Quality moulded inset bath
- Durable scratch resistant cross-linked sanitary grade acrylic polymer
- Comfortable shape with good lumbar support
- Suitable for commercial or domestic installations
- Two sizes to suit most installations
- No mortar bed required in installation

### Provided

Item	Description	Code
Bath	Project Premium 1500 Bath	J5115
Bath	Project Premium 1675 Bath	J5116
Installation	Instruction Sheet	✓



All dimensions are in millimetres and are subject to normal manufacturing variation of +/- 3mm on all surfaces. As product development is ongoing BPA reserves the right to vary specifications without notice.  
 Bathroom Products Australia P/L ABN 87 079 297 617